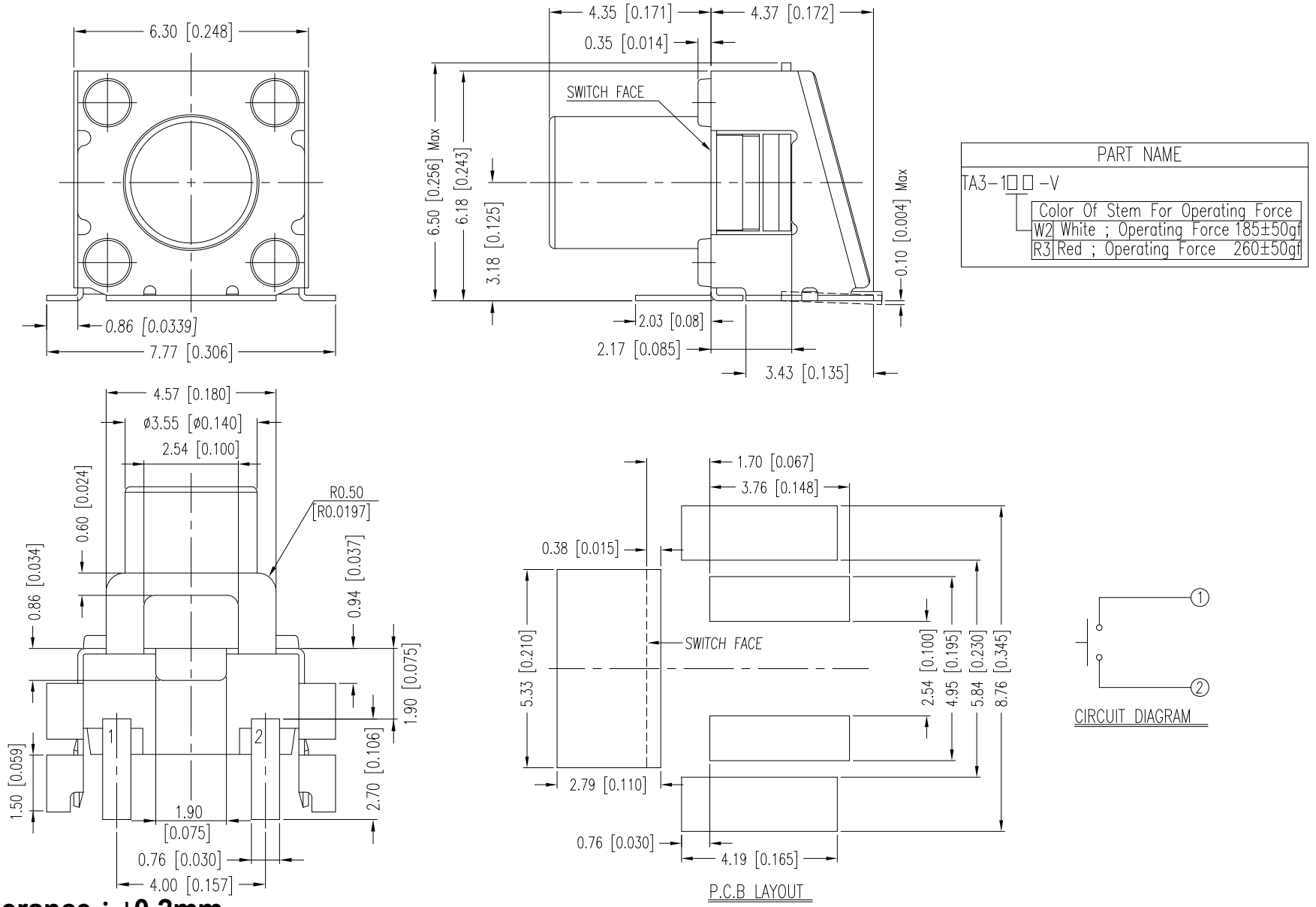


TA3 SERIES

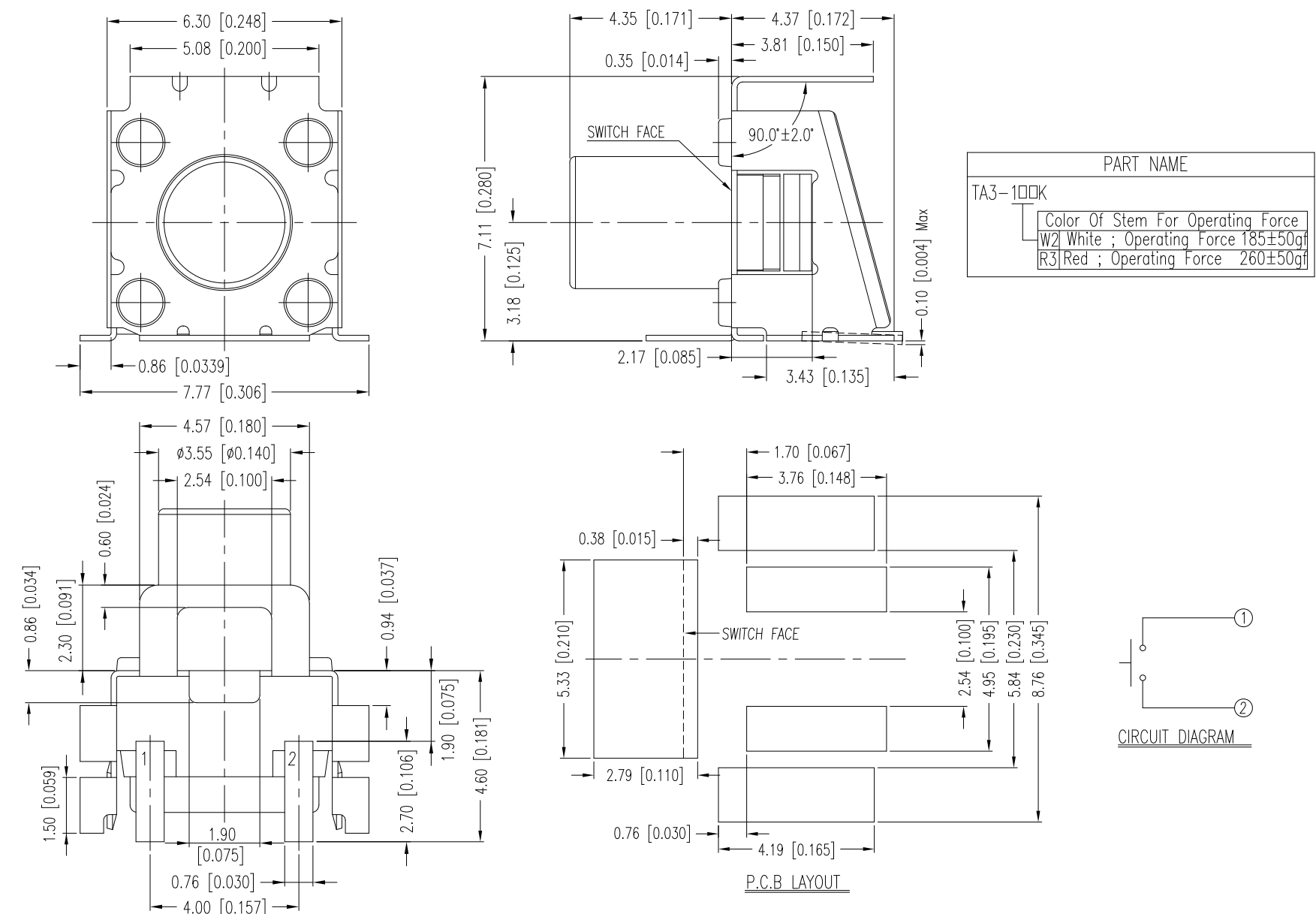


DIMENSION

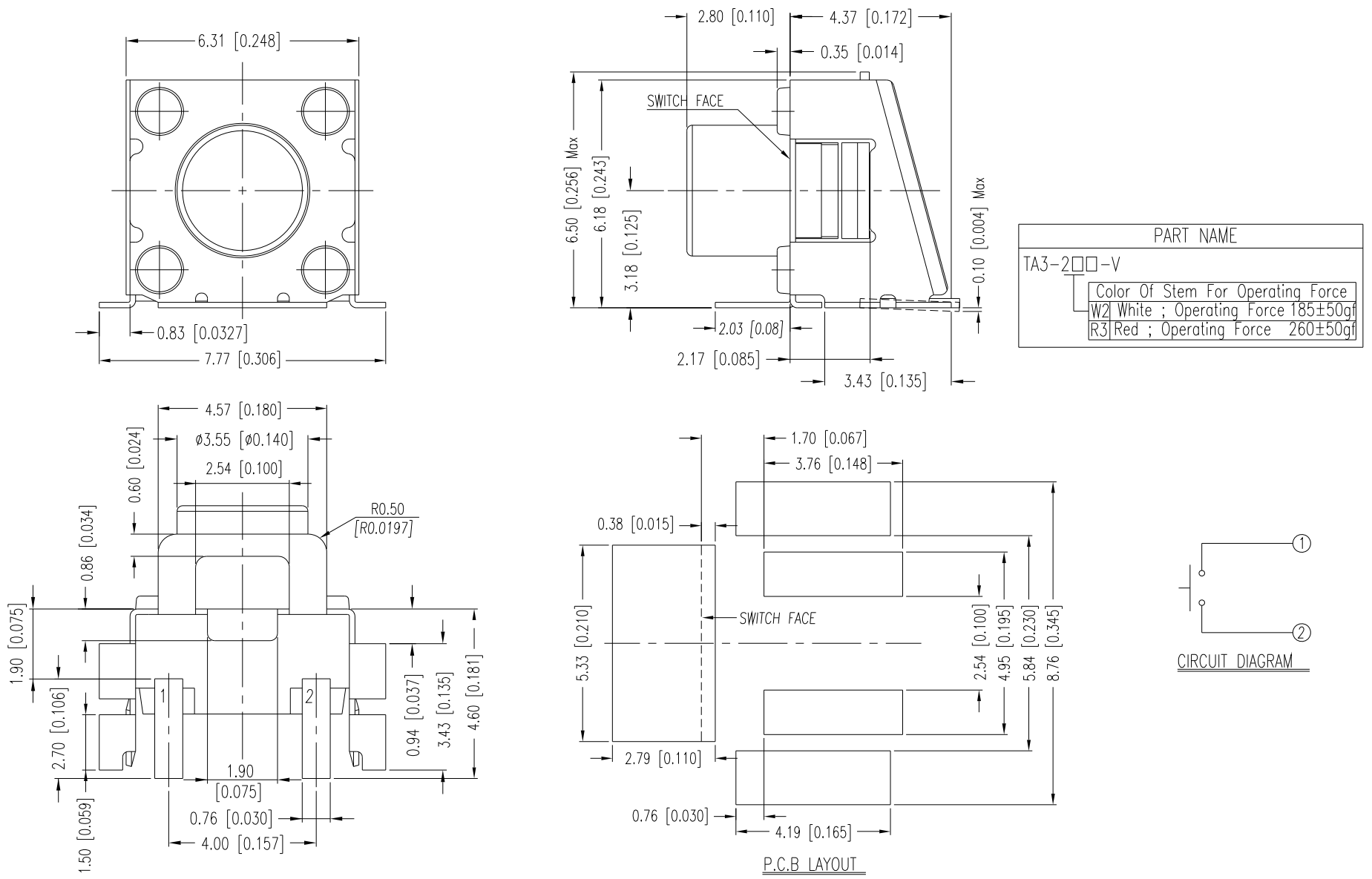
TA3-1



TA3-1K

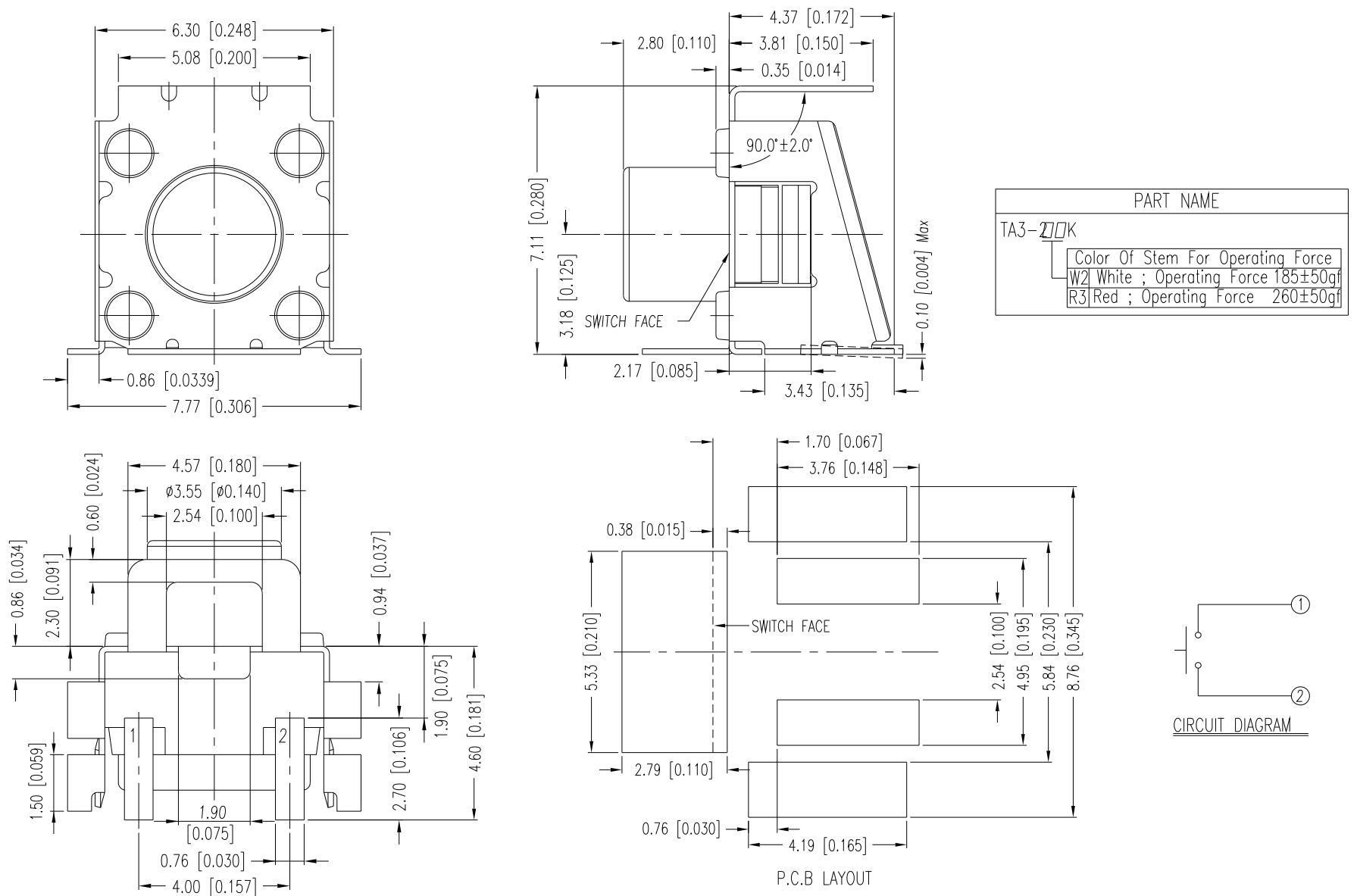


TA3-2



General Tolerance : ±0.2mm

TA3-2K



General Tolerance : ±0.2mm

HOW TO ORDER

T A 3 - □ □ □ □ - □ - □

Package :
T/R = Tape & Reel

Soldering :
V =RoHS & Lead Free Solderable
Q=Halogen Free
□ = Without Tab
K = Tab for auto-dipping

Operating Force :
2 = 185gf
3 = 260gf

Color of Stem :
W = White
R = Red

Height :
1 = 4.35mm
2 = 2.80mm
3 = 2.30mm
4 = 4.00mm

Right Angle SMT Type

SPECIFICATION

△MECHANICAL

Operation Force : 180±50gf, White(W)
260±50gf,Red(R)

Stroke : 0.15mm Min

Operation Temperature Range : -25°C to +70°C

Storage Temperature Range : -30°C to +80°C

Sealed IP57

△ELECTRICAL

Electrical Life: 200,000 cycles

Rating: 1.5 mA, 5 VDC

Contact Resistance: 100mΩ max.

Insulation Resistance: 100MΩ min. at 500 VDC

Dielectric Strength: 250V AC/1 minute

Contact Arrangement : 1 pole 1 throw.

MATERIAL

△COVER : Stainless steel

△STEM : High-temp Thermoplastic
Color : White <180gf>, Red <260gf>

△CONTACT : Stainless with silver plating

△BLOCK : High-temp Thermoplastic
Color : Black

△SEAL : Silicone Rubber

△BASE : High-temp Thermoplastic
Color : Black

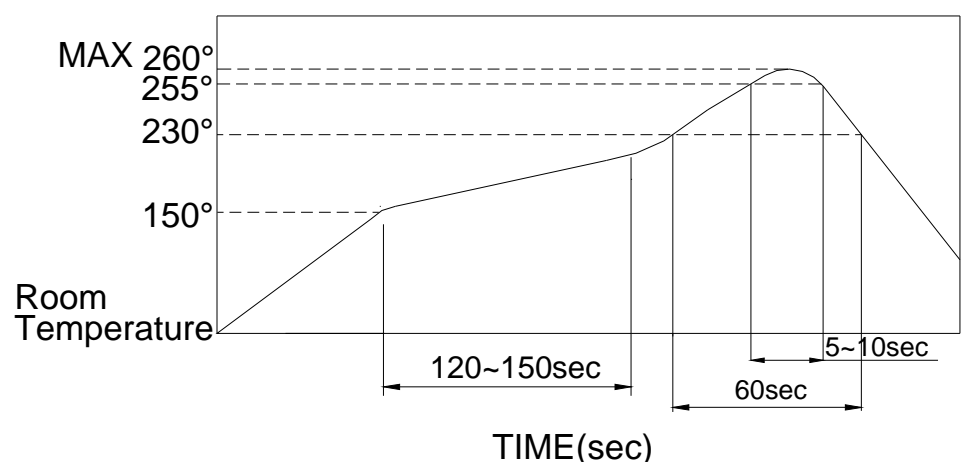
△TERMINAL : Brass with silver plating

SOLDERING PROCESS

△HAND SOLDERING : Us a soldering iron of 30 watts, controlled at 350°C approximately 5 seconds while applying solder.

△REFLOW SOLDERING : When applying reflow soldering, the peak temperature or the reflow over should be set to 260°C max.

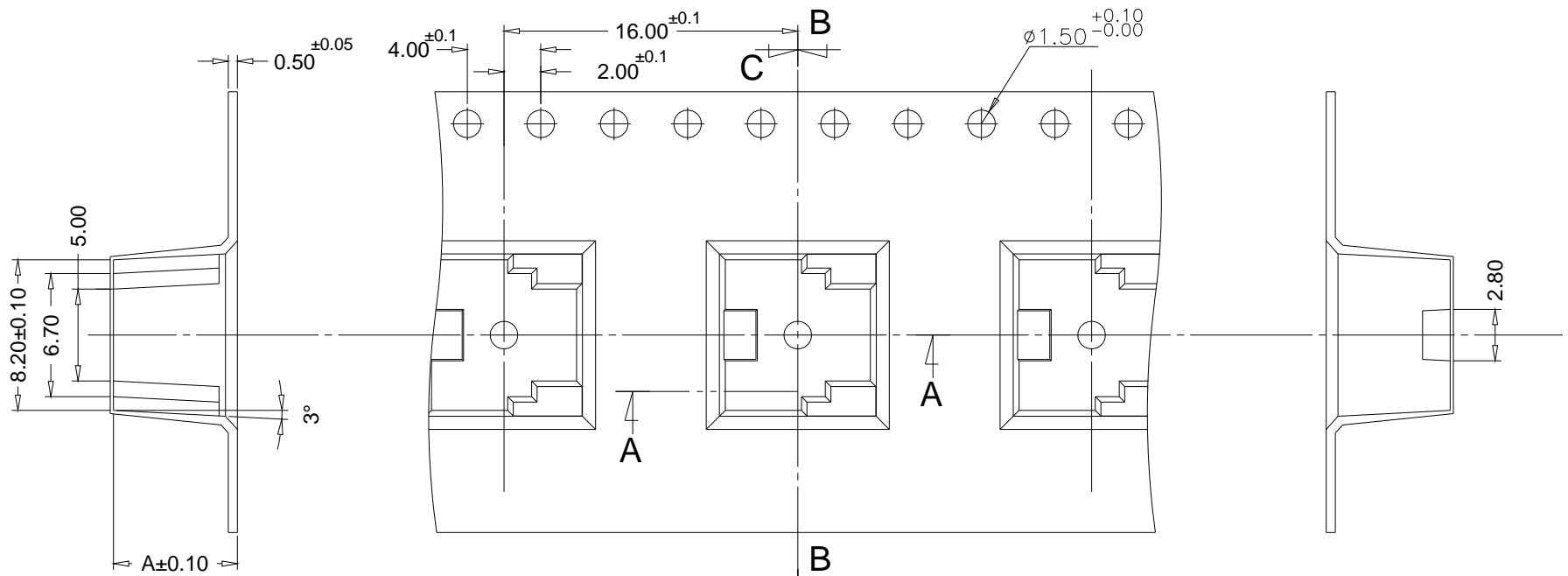
△Temperature Profile :



PACKING

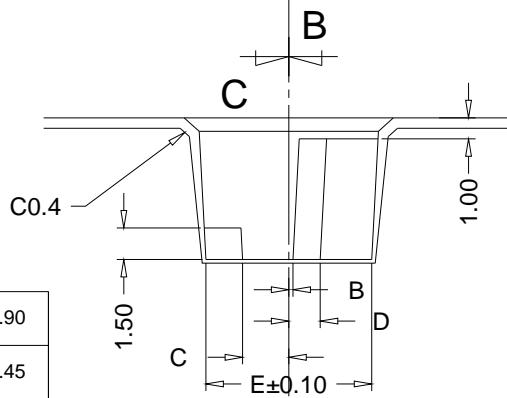
REEL

Part Number	Number Per Tube	Number Per Reel
TA3-1W2	-	600
TA3-1R3	-	
TA3-2W2	-	
TA3-2R3	-	
TA3-1W2K	-	550
TA3-1R3K	-	
TA3-2W2K	-	
TA3-2R3K	-	



C-C Section

B-B Section



A-A Section

TA3-2□□K	62572K000	7.35	0.20	2.20	1.50	7.90
TA3-2□□	625720000	6.75				
TA3-1□□K	62571K000	7.35	0.57	2.97	0.73	9.45
TA3-1□□	625710000	6.75				
TA3-□ TYPE	PART NO.	DIM A	DIM B	DIM C	DIM D	DIM E

General Tolerance : ±0.1mm